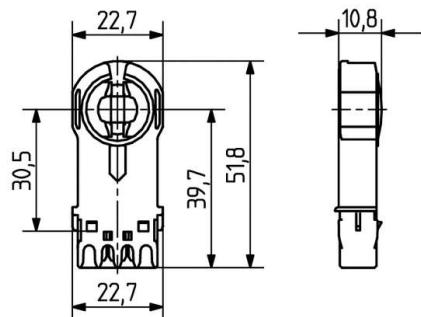


 Create pdf

## Lampholders and starter holders

26.303.1001

BJB Connector System



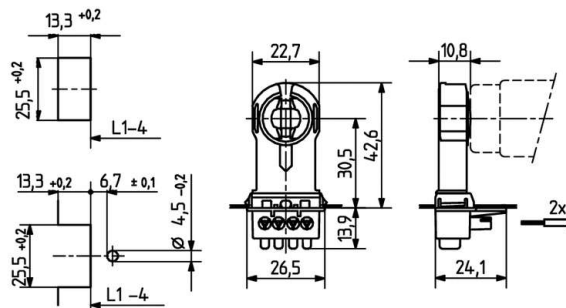
colour	pkg.	wt.	part no.
white	250	6 g	26.303.1001.50

G13 Lampholder for the BJB connector system




Lamp centre: 30.5 mm  
Push fixing

Housing: PC  
Rotor: PBT

- Can only be used with 26.921 adaptor
- Contacts: IDC Termination
- A pair of lampholders provides a lamp length tolerance compensation of 3 mm



Example of application with adaptor 26.921  
L1-4: Recommended dimension - the final distance should be governed by the dimensions of the respective lamps and luminaires.

T 130	Tm110	U out 500 V		 0.5 mm <sup>2</sup>	
-------	-------	----------------	---	--	--

Document generated on: Th, 9. February 2017 - 14:48